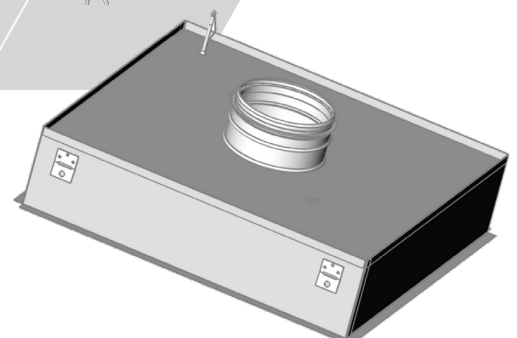
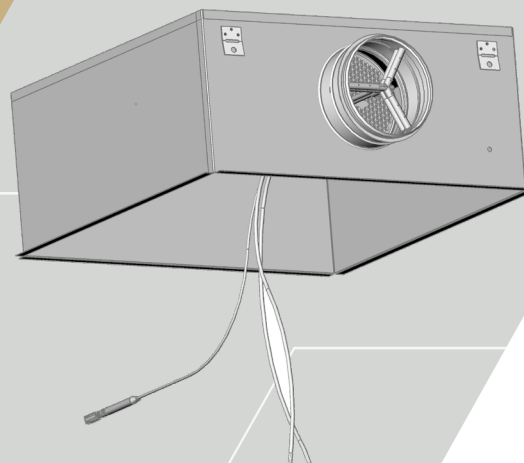
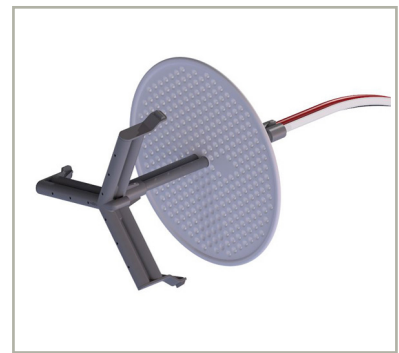
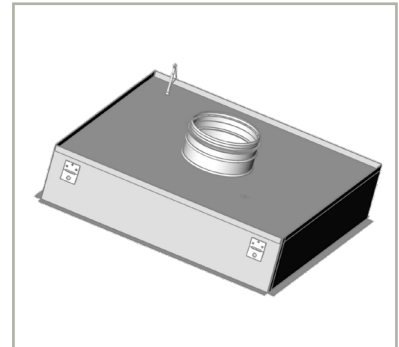
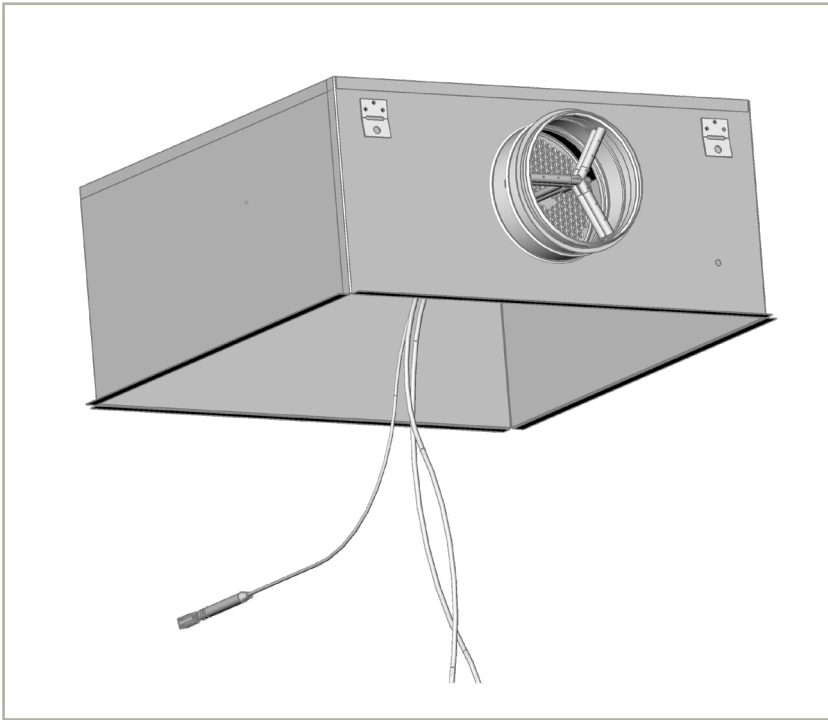


AIRTREND Ltd.
Predstavništvo u Beogradu
Kumanovska 14
11000 Beograd
Tel: 011 3836886, 3085740
Faks: 011 3444113
e-mail: gobrid@eunet.rs
web: www.airtrend.rs

Connection box SKHA/SKVA

TECHNICAL DATA





SK(H,V)A is a range of connection boxes with an open bottom dedicated for square face panel diffusers.

SKHA has a ventilation duct connection situated at the side and SKVA on the top of plenum box.

Connection boxes can be delivered without or with sound attenuation lining. In the latter case, it is used self-extinguishing foam, which does not support flame spread.

SKHA is available in two versions: without regulation damper or with patented measurement and adjustment damper enables balanced and accurate values.

SKVA is only available in version without damper.

PRODUCT DATA

- Easy to install and adjust
- Includes a ZAEF measurement and adjustment damper that can be easily removed without changing the setting
- Accurate air flow measurement and adjustment
- Duct connection diameters 160-400 mm,
- 4 face panel sizes
400x400-625x625mm
- Made of galvanized sheet steel

PRODUCT CODE EXAMPLE

SKHA-16-60-1-2

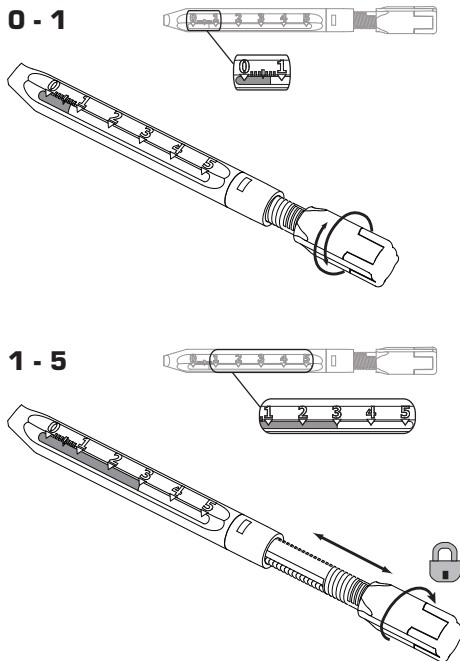
Face panel size 600x600mm, duct connection diameter 160mm, with sound attenuation material, with ZAEF damper.

GENERAL

EXECUTION AND FUNCTION

The patented multipoint measuring of the measurement and adjustment damper enables balanced and accurate values. The adjustment handle of the measurement and adjustment damper has a position indicator and a locking device. For minor damper openings (0–1) the measurement and adjustment damper features a finetuning function that is operated by turning the adjustment spindle of the adjustment handle. With larger openings (1–5), the sliding adjustment provides fast settings.

The setting is locked by turning the adjustment spindle clockwise to the locking position. The measurement and adjustment damper can be easily removed for inspection and cleaning without changing its setting or removing the sound attenuation elements. The k-factors for different installations (supply air) are marked on the adjusting cable. For k-factors for exhaust air, see the adjustment instructions for the respective diffuser.



INSTALLATION

For diffuser installation purposes, connection box SKHA is equipped at the top with a rivet nut size M6. Connection box SKVA is supplied with additional crossbeam. To both versions there are threaded rods attached, cut to specific lengths. In each plenum box, there are lugs attached to the walls for hanging purposes. For more detailed information, see the product-specific installation instructions

MAINTENANCE

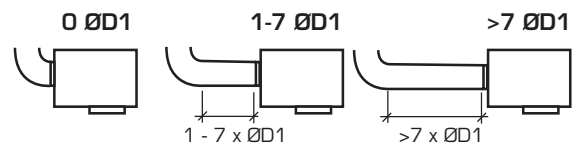
The SKHA plenum box includes a measurement and adjustment damper (ZAEF) that can be easily removed without changing its setting. The ductwork can be cleaned through the box.

MATERIAL

Made of galvanized sheet steel. Sound attenuation lining is made of elastomeric foam based on synthetic rubber of fire reaction class B-s3,d0 according to EN13501-1 standard. The measurement and adjustment damper is mainly plastic (ABS and PA).

K-FACTORS FOR SUPPLY AIR

For k-factors for exhaust air, see the adjustment instructions for the respective diffuser.



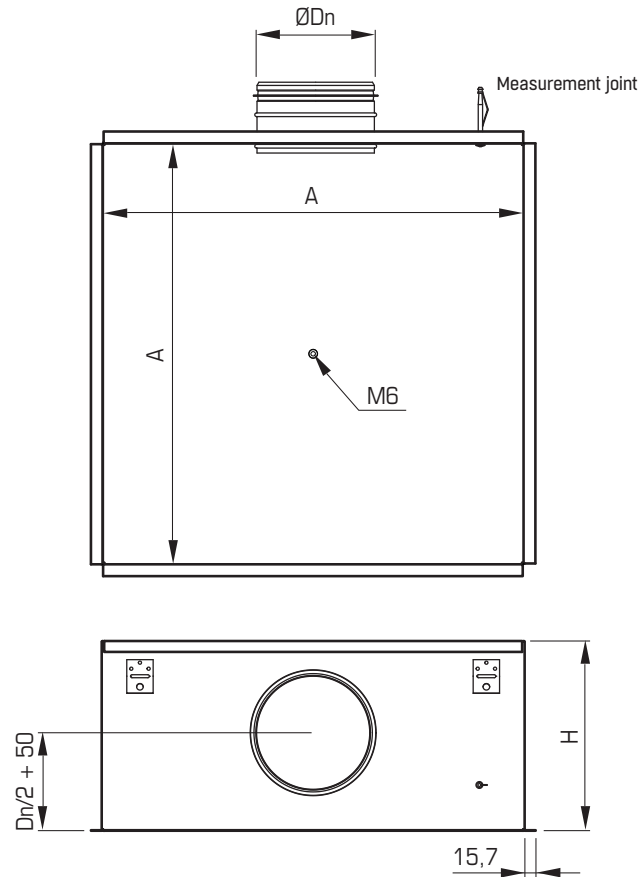
ØD1	0ØD1	1-7ØD1	>7ØD1
160	17.1	19.9	17.3
200	27.0	30.8	27.9
250	47.1	48.8	39.9
315	65.9	67.2	64.1

SPECIFICATIONS TEXT EXAMPLE

SKHA/SKVA plenum boxes for supply and exhaust air. The plenum box includes a removable ZAEF measurement and adjustment damper as well as effective sound attenuation elements.

DIMENSIONS

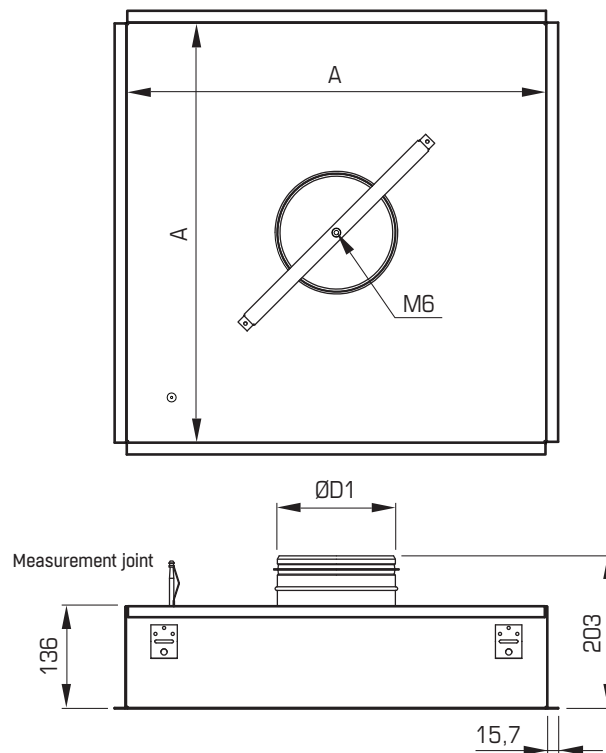
SKHA CONNECTION BOX



Model	$\varnothing D_n$ (mm)	A (mm)	H (mm)	Weight (kg)
SKHA-16-40-0-(0,2)	160	358	252	3,2
SKHA-16-60-0-(0,2)	160	558	252	5,5
SKHA-20-50-0-(0,2)	200	458	292	4,8
SKHA-20-60-0-(0,2)	200	558	292	6,0
SKHA-25-60-0-(0,2)	250	558	342	6,6
SKHA-25-62-0-(0,2)	250	583	342	7,0
SKHA-31-60-0-(0,2)	315	558	406	7,4
SKHA-40-60-0-0	400	558	491	8,4
SKHA-16-40-1-(0,2)	160	358	252	3,5
SKHA-16-60-1-(0,2)	160	558	252	5,8
SKHA-20-50-1-(0,2)	200	458	292	5,0
SKHA-20-60-1-(0,2)	200	558	292	6,4
SKHA-25-60-1-(0,2)	250	558	342	7,0
SKHA-25-62-1-(0,2)	250	583	342	7,5
SKHA-31-60-1-(0,2)	315	558	406	7,8
SKHA-40-60-1-0	400	558	491	9,0

DIMENSIONS

SKVA CONNECTION BOX



Model	Ø Dn (mm)	A (mm)	Weight (kg)
SKVA-16-40-0-0	160	358	2,4
SKVA-16-60-0-0	160	558	4,1
SKVA-20-50-0-0	200	458	3,6
SKVA-20-60-0-0	200	558	4,5
SKVA-25-60-0-0	250	558	5,0
SKVA-25-62-0-0	250	583	5,3
SKVA-16-40-1-0	160	358	2,6
SKVA-16-60-1-0	160	558	4,5
SKVA-20-50-1-0	200	458	3,8
SKVA-20-60-1-0	200	558	4,8
SKVA-25-60-1-0	250	558	5,3
SKVA-25-62-1-0	250	583	5,6

PRODUCT CODE

Connection box **SKHA-aa-bb-c-d**

Duct connection size, cm (aa)

16, 20, 25, 31, 40

Face panel size, cm (bb)

40, 50, 60, 62

Sound attenuation material (c)

0 = without

1 = with

Damper (d)

0 = without damper

2 = with measurement and adjustment damper ZAEF
(except duct connection size 40)

Connection box **SKVA-aa-bb-c-0**

Duct connection size, cm (aa)

16, 20, 25, 31, 40

Face panel size, cm (bb)

40, 50, 60, 62

Sound attenuation material (c)

0 = without

1 = with

EXCELLENCE IN SOLUTIONS

FläktGroup is the European market leader for smart and energy efficient Indoor Air and Critical Air solutions to support every application area. We offer our customers innovative technologies, high quality and outstanding performance supported by more than a century of accumulated industry experience. The widest product range in the market, and strong market presence in 65 countries worldwide, guarantee that we are always by your side, ready to deliver Excellence in Solutions.

PRODUCT FUNCTIONS BY FLÄKTGROUP

Air Treatment | Air Movement | Air Diffusion | Air Distribution | Air Filtration
Air Management & ATD's | Air Conditioning & Heating | Controls | Service

» Learn more on www.flaktgroup.com
or contact one of our offices